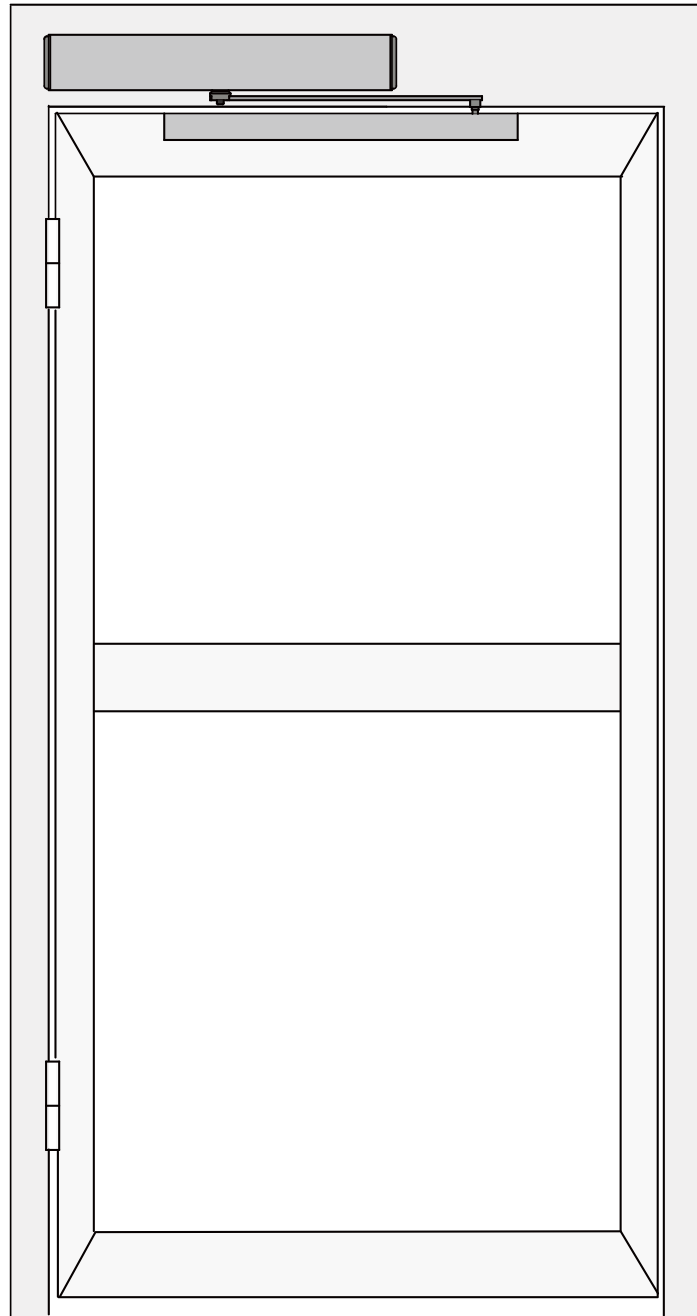


INSTALLATION MANUAL

ED200



AUTOMATIC ENTRANCE SPECIALISTS

catalogue

1 Technical Parameters	01
2 Components	02
3 Installation	03-10
3.1 Installation Example	03
3.2 Installation of base plate	04-05
3.3 Installation of pull arm	06
3.4 Installation of push arm	07-08
3.5 Installation of operation system	09
3.6 Installation of cover	09
3.7 Connection of operation system and pull arm	10
3.8 Connection of operation system and push arm	10
4 Electrical connection	11-14
5 Parameters adjustment	15

1 Technical Parameters

Voltage: 110 ~ 220V +10% .

Opening time: 3~7s/90

Hold open time: 1~ 30s adjustable

Environment Temperature: -20C ~+50C

Protection class: IP12D

Product weight: 6.5Kg

Dimension: L540xH95xW82mm

mm=Door width

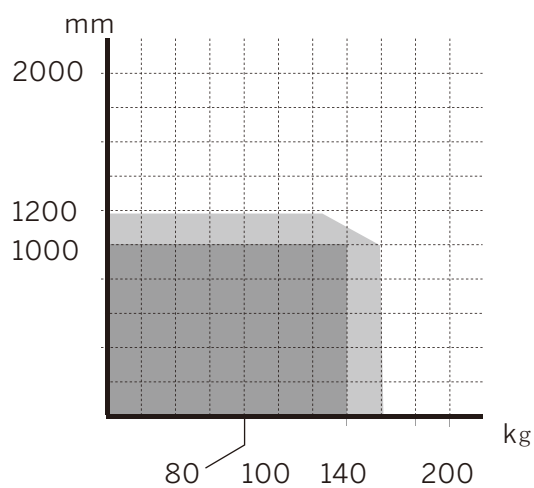
kg=Door weight



Suitable range



Range limit



2.Components

hole for power cable

hole for sensor cable



base plate

power connector

motor

Controller



operator

output axis

cover



pull arm(alternative)
Inward opening

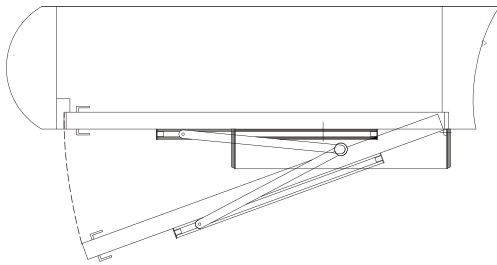
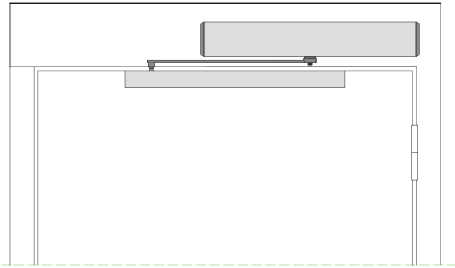


push arm(alternative)
Outward opening

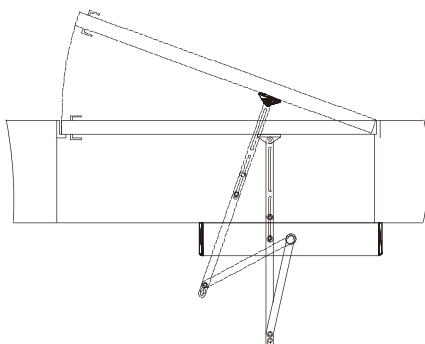
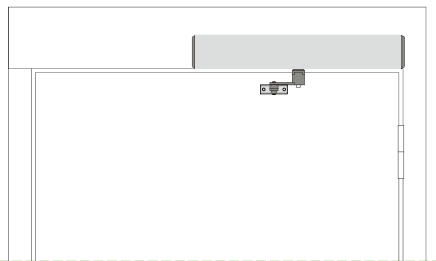
3 Installation

3.1 Installation example

Choose pull arm: door leaf open toward inside (operator is inside)

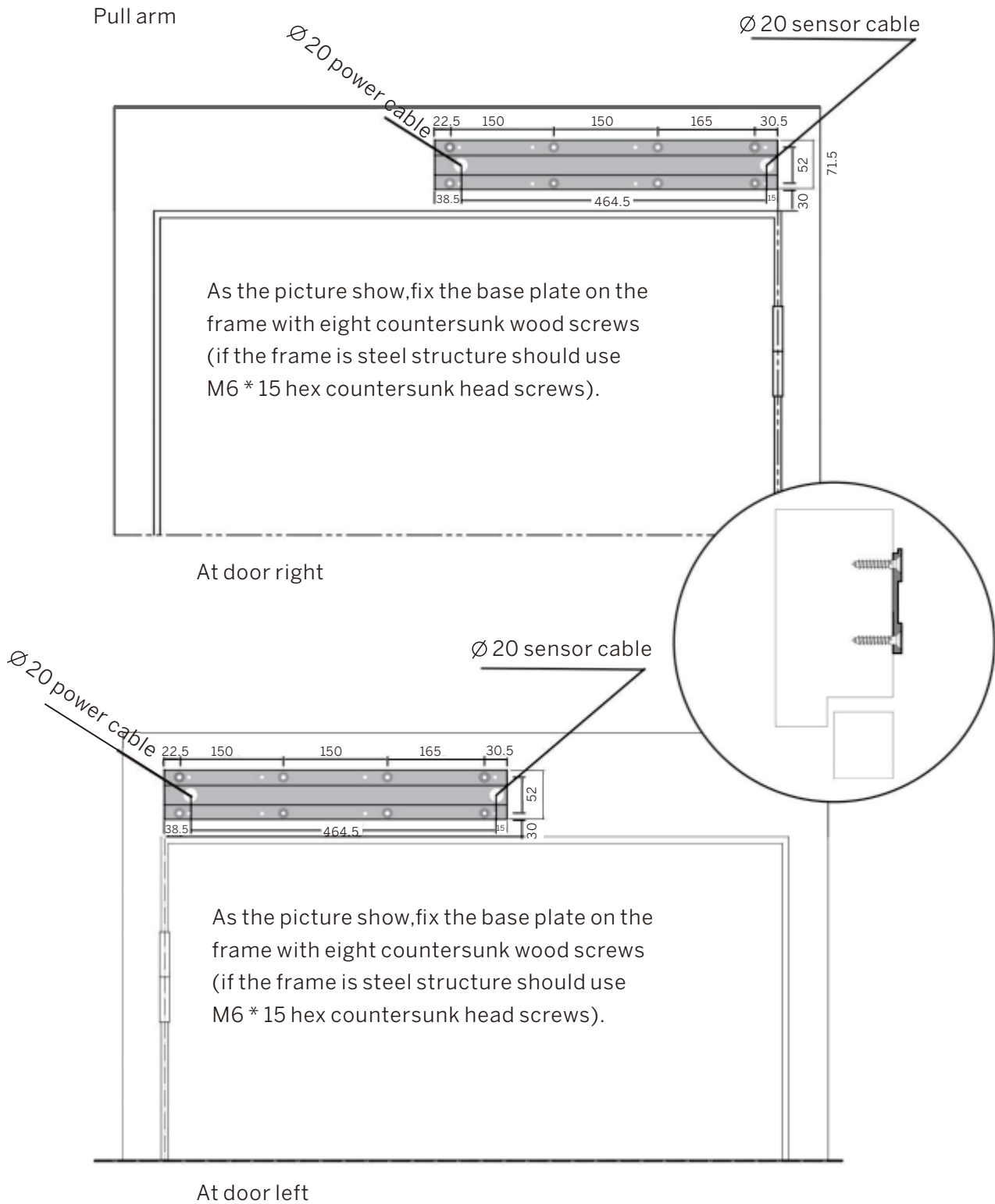


Choose push arm: door leaf open toward outside (operator is inside)



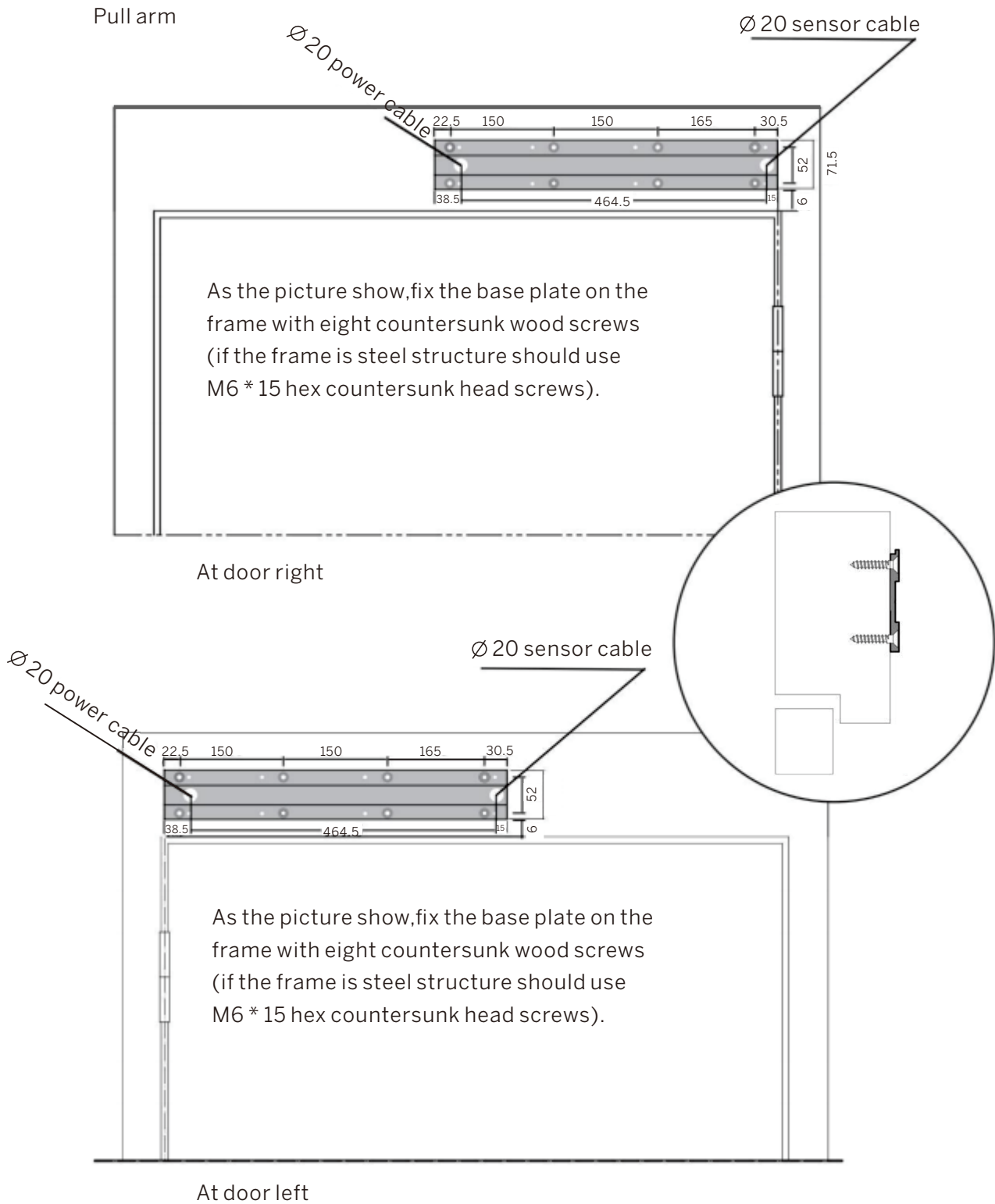
3 Installation

3.2 Installation of base plate



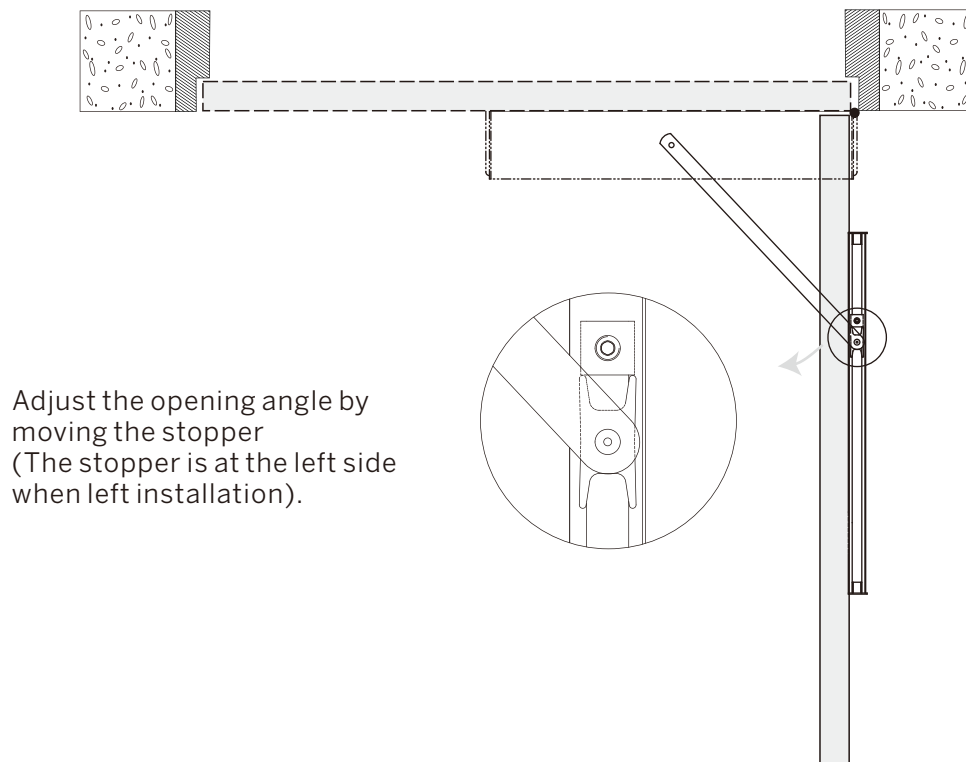
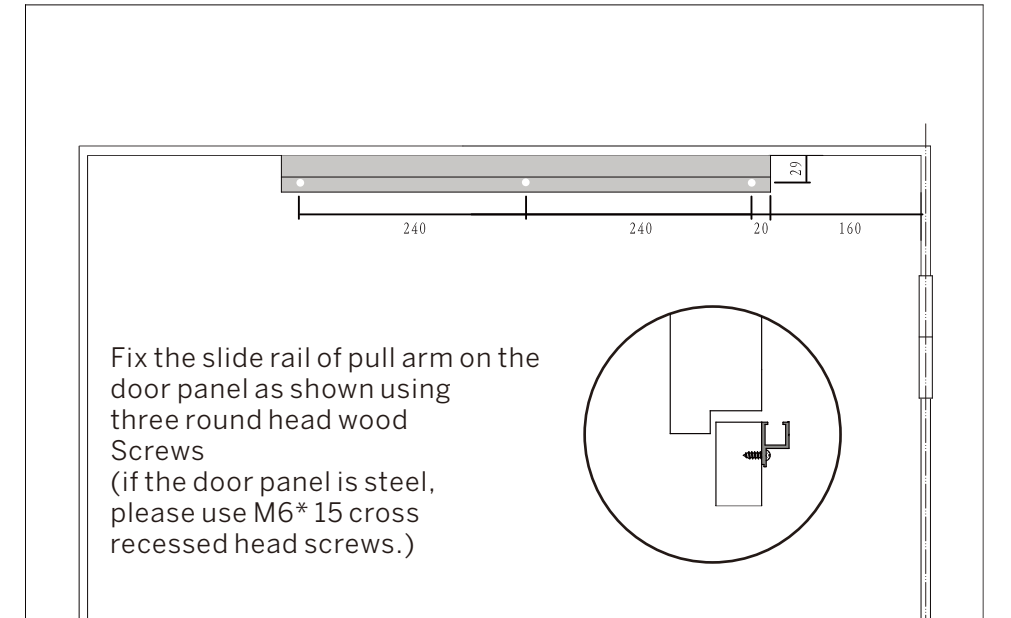
3 Installation

3.2 Installation of base plate



3 Installation

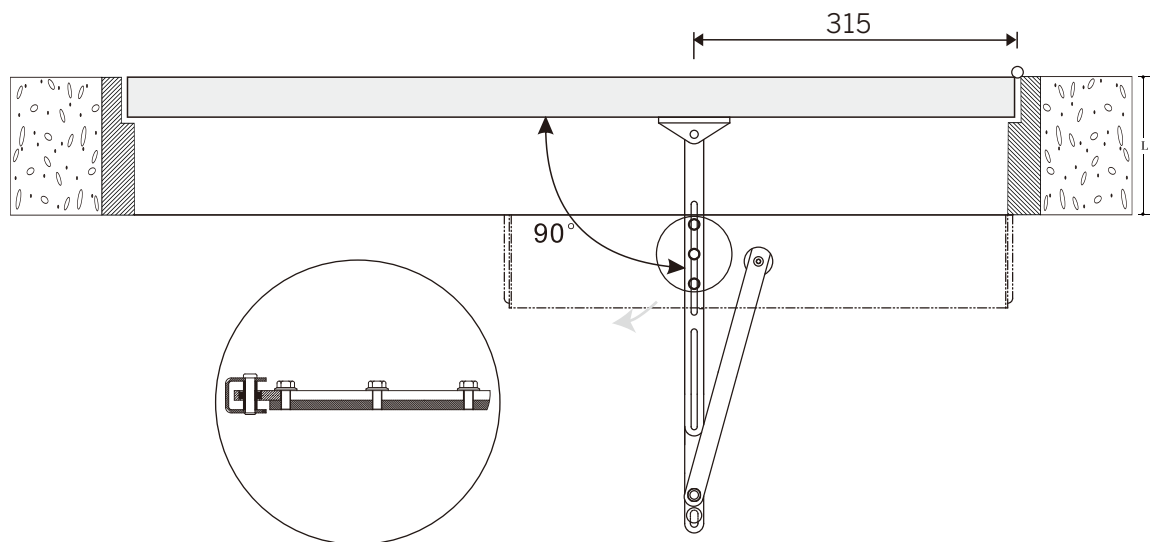
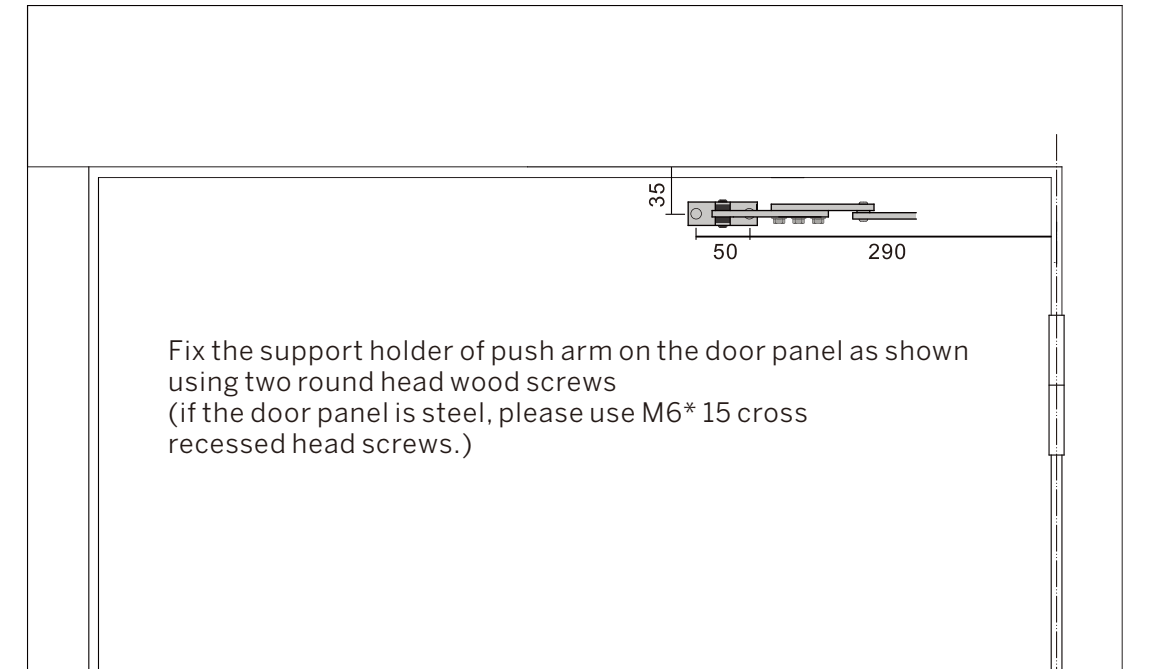
3.3 Pull arm



At door right

3 Installation

3.4 Push arm

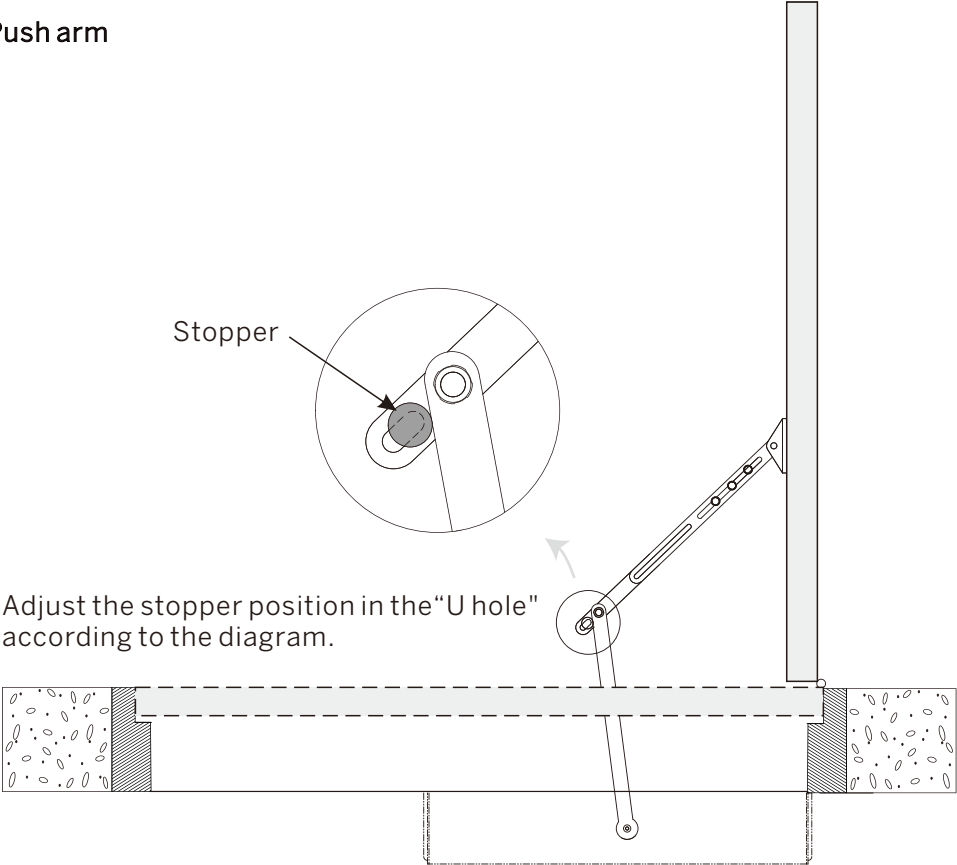


Loosen this three bolts and adjust the push arm length according to the door depth(L) until the angle between the push arm and door panel is 90°.

At door right

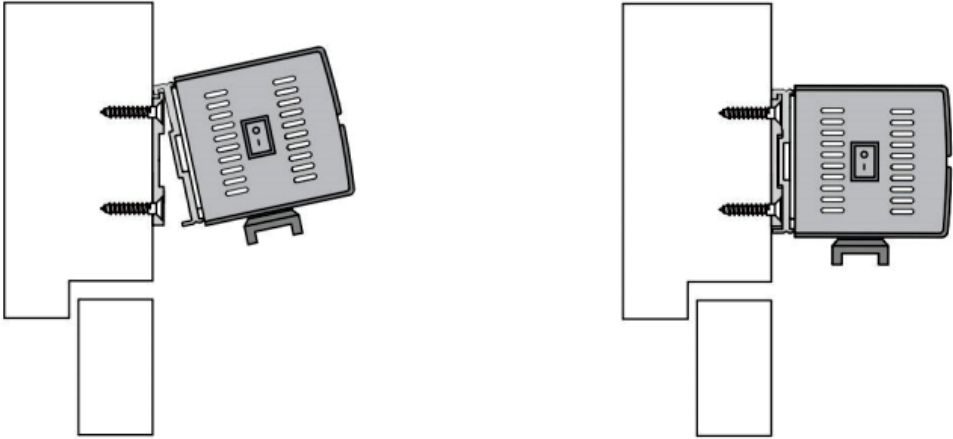
3 Installation

3.4 Push arm



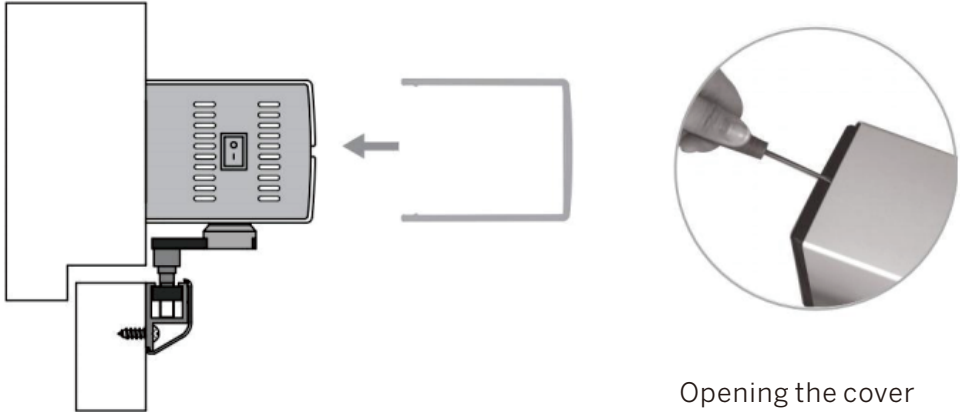
3 Installation

3.5 operation system



Hook the operation system on the finished base plate as shown, fix it with eight hexagon socket head screws.

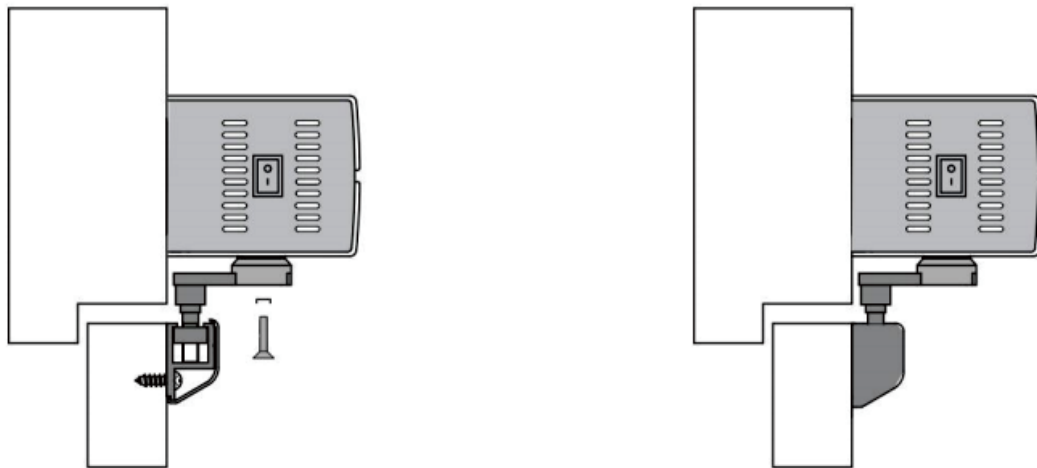
3.6 Cover



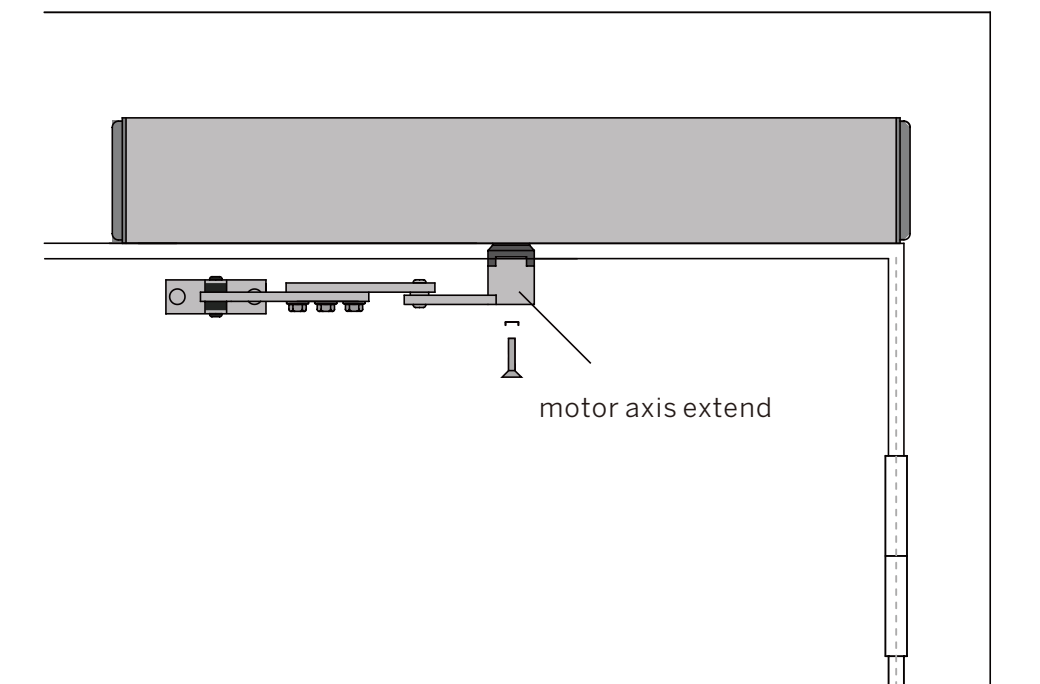
Opening the cover

3 Installation

3.7 Connect the operation system and the pull arm



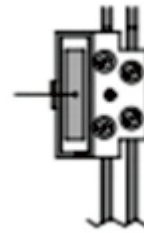
3.8 Connect the operation system and the push arm



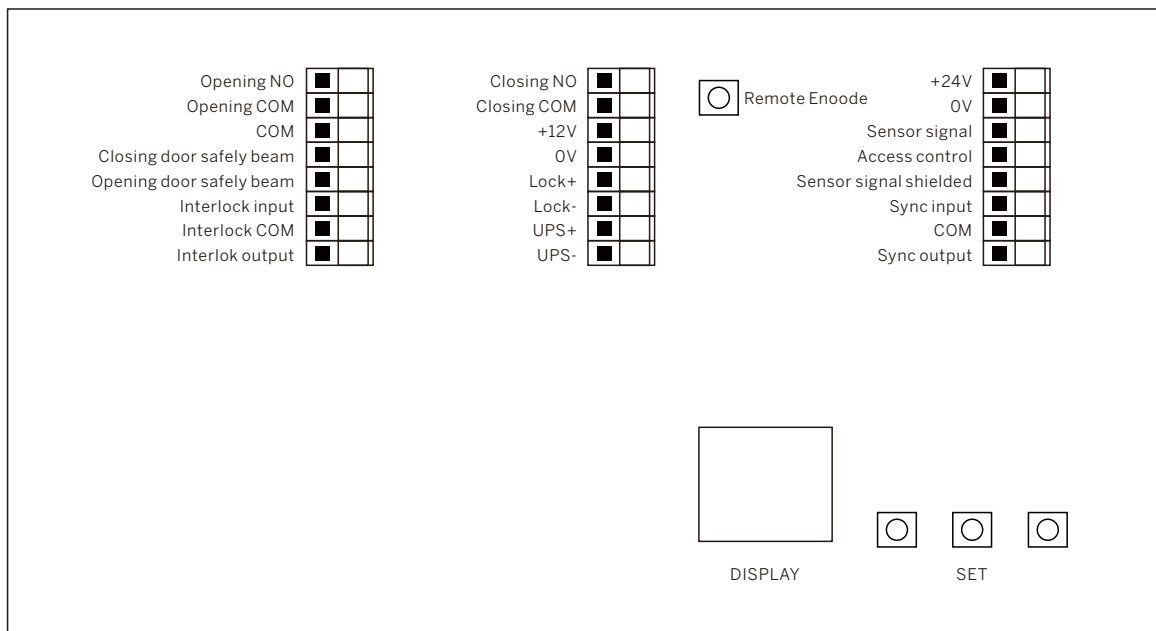
4. Electrical connection

power cable

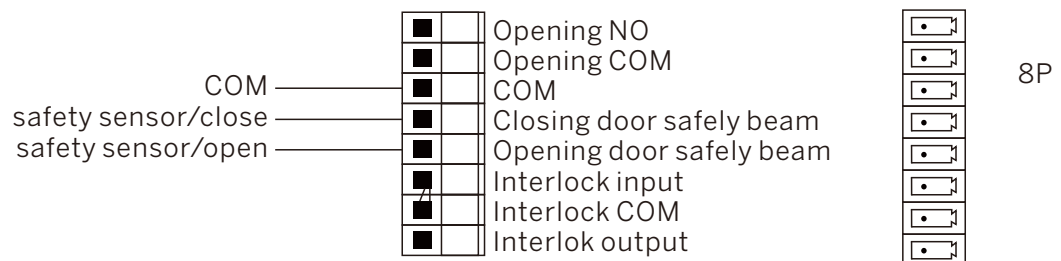
fuse 3A



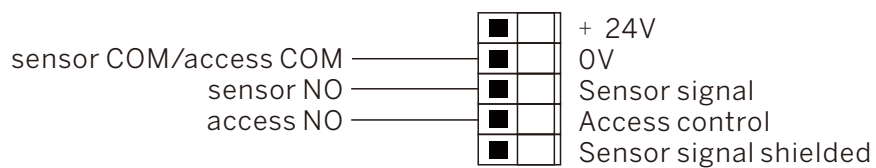
supply power 110~ 220V



Safety sensor

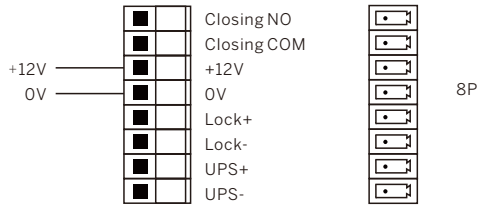


Sensor&access control

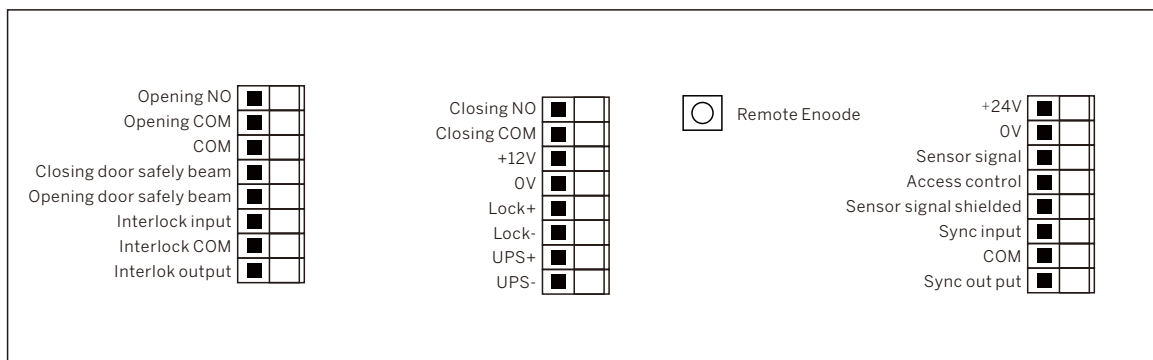
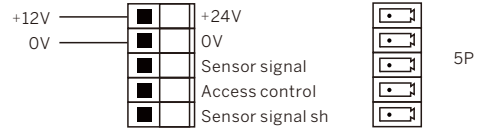


4. Electrical connection

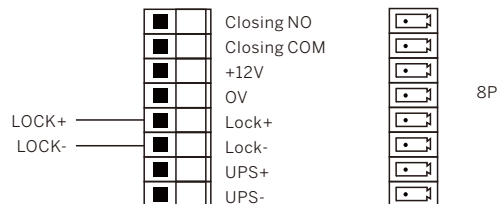
12V output



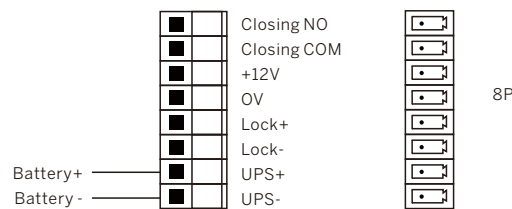
24V output



LOCK



BACKUP BATTERY



4. Electrical connection

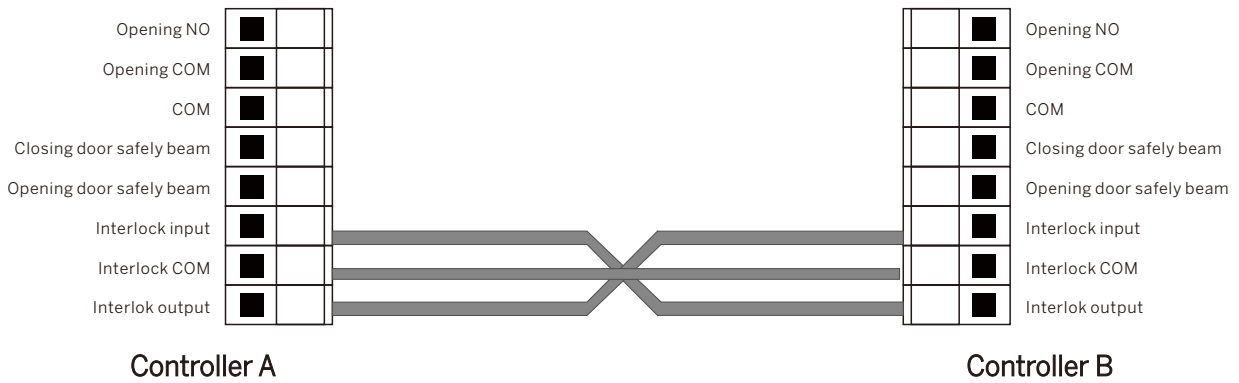
Double-door synchronous



*When double opening, open first and close second is master door, close first and open second is slave door

*Sensors and access control system are connected with the master door controller.

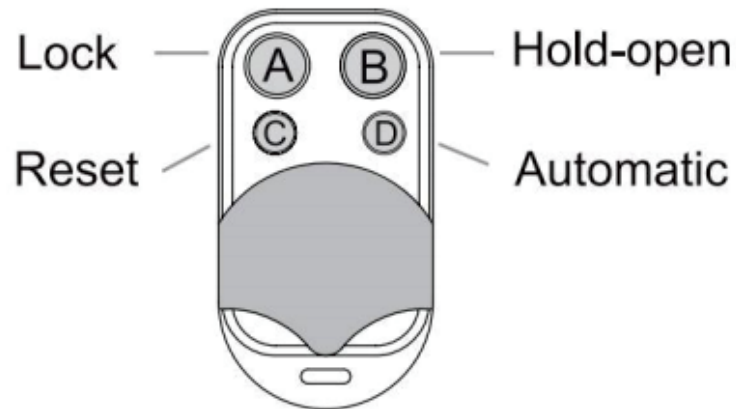
Interlock



Note: Two doors share same sensor or same signal source, both doors may hold open, in this case, exchange two signal wires of the sensor which is connected with the same controller, it doesn't matter controller A or B.

4. Electrical connection

Optional: remote control



Encode remote control with the door controller :

- 1.Delete all: long press the button "Encode" until the sound of buzzer disappears, loosen the button.
- 2.Encoding: long press the button "Encode' , the buzzer sounds. Then press any button of the remote control, the buzzer stops sounding which means encoding successfully. When use the remote control, the buzzer sounds for 2 seconds.
- 3.Note: when use the remote control, if the buzzer "deep" twice, it means encoding failed, so please repeat above step 2.
- 4.Press button "automatic" one time, the door will open and close one time.

One controller can be connected with remote control not more than 10pcs.

5.Parameter adjustment

1.parameter setting

SET key: enter the menu and enter the parameters

+ Key: the menu turn up and the parameter increase adjustment

-Key: the menu turn down and parameter reduction adjustment

Note: The door direction adjustment menu changes and need to restart the power supply.

The adjustment of the parameters will be automatically stored, without the need for confirmation, and the final adjustment of the parameters are the actual parameters.

Hold down the SET "button for 8 seconds to restore the factory setting parameters.

After the adjustment parameters automatically exit, the "+" button can be used as a signal button, press the door experience switch once.

2. Parameter display

The parameters are divided into level menu and level menu.

The first level menu does not flash, and the second level menu flashes

Note: The opening and closing signal in place on the equipment is optional and not standard.

Parameter number	function	value	Factory value	explain
01	Open the door speed	1-10	5	The larger the value, the faster the speed
02	Close the speed	1-10	5	The larger the value, the faster the speed
03	Open the door buffer Angle	1-20	10	The larger the value, the greater the delay angle
04	Close the door slowly, rush to the Angle	1-20	10	The larger the value, the greater the delay angle
05	Open the door stay time	0-30	1	Open the door for 0-30 seconds after the door delay
06	indeterminate			
07	Open the door Angle	1-99	50	The larger the value, the greater the angle
08	direction selection	0-1	0	Open the door direction selection, the door is closed OK at 45 degrees of
09	Primary / secondary induction selection	0-1	0	0: Normal 1: Give the signal-open the door, close the second time
10	Type of electric lock	0-2	1	0: No electric lock 1: Power lock 2: Power unlock
11	Plug and turn force adjustment	1-10	5	Open and close the door to block the turning force
12	Master / from door selection	0-1	0	0: The main door 1: From the door
13	Child / common door selection	0-1	0	0: Child mother door, a double door with child mother button 1: Ordinary door, do not need a
14	Mechanical / electronic positioning selection	0-1	0	0: Determine the door opening angle according to the locator 1: Adjust the size of parameter 7 to determine the opening Angle